



QB-06

7.5W/5W/10W

Stealth Wireless Charger

QB06 through surface charger, support all Qi-compatible phone, iPhone 7.5W fast charge, Samsung 10W fast charge, it also support all iPhone12 series. With the high charging efficiency and super accurate FOD method (exclusively patented), it gives much more impressive customer experience, ensures the safety of the charging process.

It was designed for easy to install, easy to maintain concept, suitable for all non-metallic tables, such as wooden, glass or PVC. The invisible way of installation makes the wireless charging be real wireless.

Key Features:

- Compatible with Qi-BPP 5W, iPhone 7.5W and Samsung 10W
- Support all Qi standard mobile phones
- Fully supports the wireless charging of iPhone 12, effectively reducing power loss and heating.
- Used for 10~20mm charging distance through non-metallic solid material between mobile phone and the charger available
- Easy installation
- Over-current/ Over-temperature/ Over-voltage and FOD protection
- CE , FCC certified.
- Can meet the UL and RoHS reques

Specification

Power Input Interface	DC Jack $\phi 3.5 * \phi 1.35$
Input Power Requirement	DC: 19V 0.94A (18W)
Charging Power	5W 、 7.5W 、 10W (max.), delivery to the phone
Supported Protocol	Compatible with Qi-BPP, iPhone Fast Charging, Samsung Fast Charging
Standby Power	<0.3W
Charging Distance	10~15mm (Don't Need Resonator Pad)
	15~20mm (Resonator Pad Is Optional)
	20~30mm (With Resonator Pad)
Typical Efficiency	80% @25mm (iPhone 11)
Operation frequency	110~150 KHz
Coil Type	Litz wire wound with ferrite
Operation Environment	0°C ~ 40°C (32°F ~ 104°F) 15 ~ 85% RH (Non-dewing)
Storage Environment	-20°C ~ 70°C (-4°F ~ 158°F) 5 ~ 95% RH (Non-dewing)

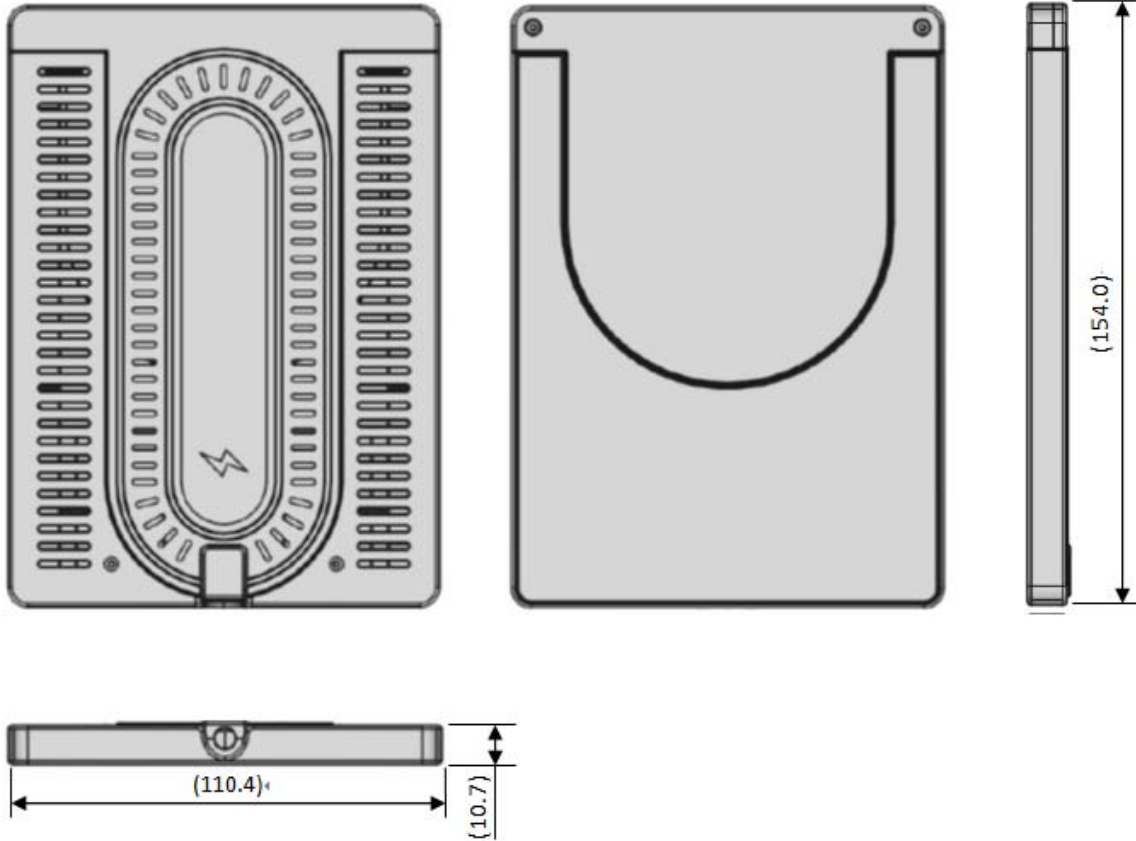


ONE POINTECH

Long Distance Wireless Charger

Mechanical Specification:

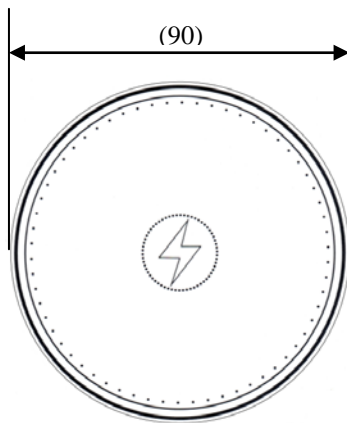
Outline Dimension 154.0 mm (l) x 110.4 mm (w) x 10.7 mm (h)



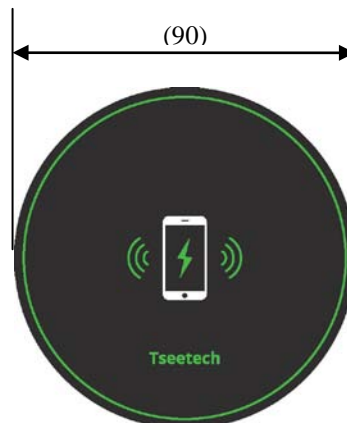
Sticker/ Resonator Pad

Sicker: OD 90 mm, 0.09mm thickness (Can be Customized)

Resonator Pad: OD 90 mm, 1.50mm max. thickness (Can be Customized)



Sicker



Resonator Pad

Unit: mm