

Introduction 产品概述

The product uses Inductive-Coupled Power Transmission technology to achieve 15 to 35mm wireless charging. The maximum output power can reach 54.2W/4A with 91% DC-to-DC efficiency @25mm. At the same time, it has FOD, OVP, OCP, OTP functions to ensure the safety of indoor & outdoor charging. It can be applied to the wireless charging of E-scooter, LEV, robot, etc.

本产品基于感应耦合电能传输技术实现15-35mm距离内的无线充电，最大输出54.2W/4A，充电效率91% @ 25mm。同时具有异物检测，过压保护，过流保护，过温保护等功能，确保户内及户外充电的安全性。可应用于电动滑板车，电动自行车，机器人等产品的无线充电。

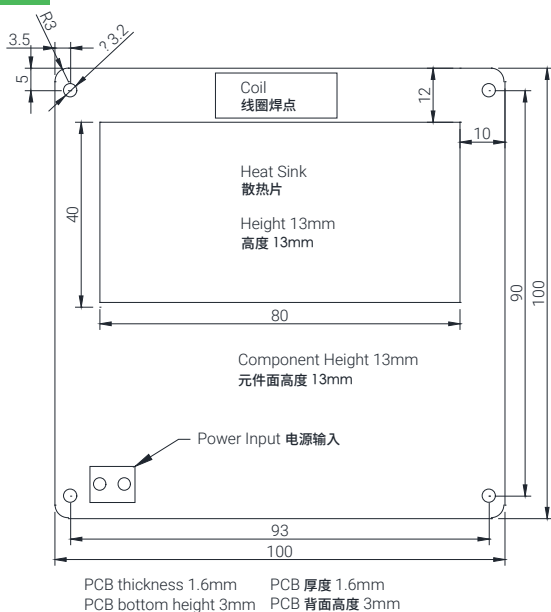
Technical Parameter 功能参数

Power input	48V/6A	电源输入	48V/6A
Power output	54.2W/4A Max (Customizable)	电源输出	最高54.2W/4A (可定制)
Power input interface	Customizable	接口类型	可定制
Efficiency	91% @ 25mm	充电效率	91% @ 25mm
Protection	FOD, OCP, OVP, OTP	保护	FOD, OCP, OVP, OTP
Standby power	0.5W Max.	待机功耗	0.5W Max.
Charging distance	15 to 35mm	充电距离	15 - 35mm
Transmitter dimension	PCBA: 100 x 100 x 18mm (L x W x H) Coil module: 120 x 120 x 5.5mm (L x W x H)	Tx发射端尺寸	控制板: 100 x 100 x 18mm (长 x 宽 x 高) 线圈模块: 120 x 120 x 5.5mm (长 x 宽 x 高)
Receiver dimension	PCBA: 90 x 90 x 18mm (L x W x H) Coil module: 120 x 120 x 5.5mm (L x W x H)	Rx接收端尺寸	控制板: 90 x 90 x 18mm (长 x 宽 x 高) 线圈模块: 120 x 120 x 5.5mm (长 x 宽 x 高)

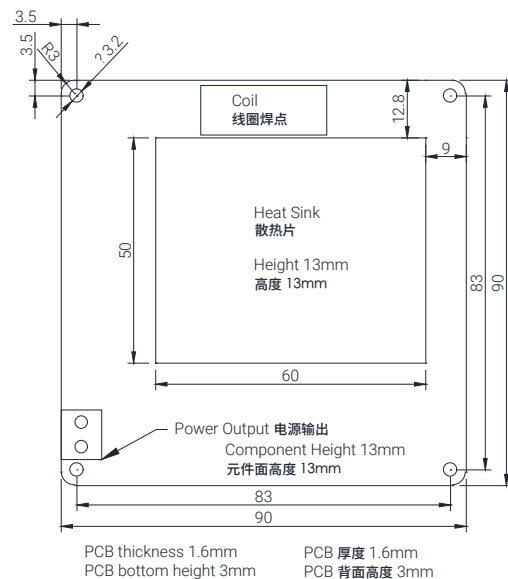
Environment 工作环境

Operating temperature	-20 to 55°C (-4 to 131°F)	工作温度	-20 - 55°C
Storage temperature	-20 to 70°C (-4 to 158°F)	储藏温度	-20 - 70°C
Operating humidity	15 to 85% RH (Non-dewing)	工作湿度	15 - 85% RH (无结露)
Storage humidity	5 to 95% RH (Non-dewing)	储藏湿度	5 - 95% RH (无结露)

Dimension 尺寸信息



Transmitter
Tx发射端



Receiver
Rx接收端